



Burkert Type 6407 Steam Solenoid Valve

- Brass Body
- Valve Seat Stainless Steel
- Seal Material PTFE/Graphite
- 10 Bar Rated
- ½" - 1½" Screwed BSP
- Suitable for Temperatures up to 180°C
- Various Voltage Options

> Description

The Type BB6407 valve is a servo-assisted piston valve. The fix coupling between pilot valve and piston provides an opening of the valve without pressure difference.

As a piston valve, the Type 6407 is particular suitable for media such as gas and steam. As well as liquids with low operating temperature below 0°C.

The stopper and the core guide pipe are welded together to enhance pressure resistance and leak-tightness. Various seal material combinations are available depending on the application. The coils are moulded with chemically resistant epoxy. To reduce power consumption in operation, coils with "Kick and Drop" (KD) electronics (double coil technology) are available. In combination with a plug acc. to DIN EN 175301-803 Form A, the valves satisfy IP65 degree of protection.

The version offered is suitable for steam and gaseous media up to temperatures of 180°C. The body is Brass with stainless steel valve seat, PTFE/Graphite seals and screwed BSP.

> On request

ATEX/IECEx Versions on Request.

Description

The BB6407 is a servo assisted piston solenoid valve, with a pressure rating of 0-10 Bar. The model offered is suitable for steam and hot gaseous media up to 180°C. Offered in sizes from ½" -1½" BSP, with brass body and PTFE Seals. The valve is vibration resistant and comes with energy saving push over coil. Voltage: 24V DC, 24V AC, 110V AC and 230V AC.

Beschreibung

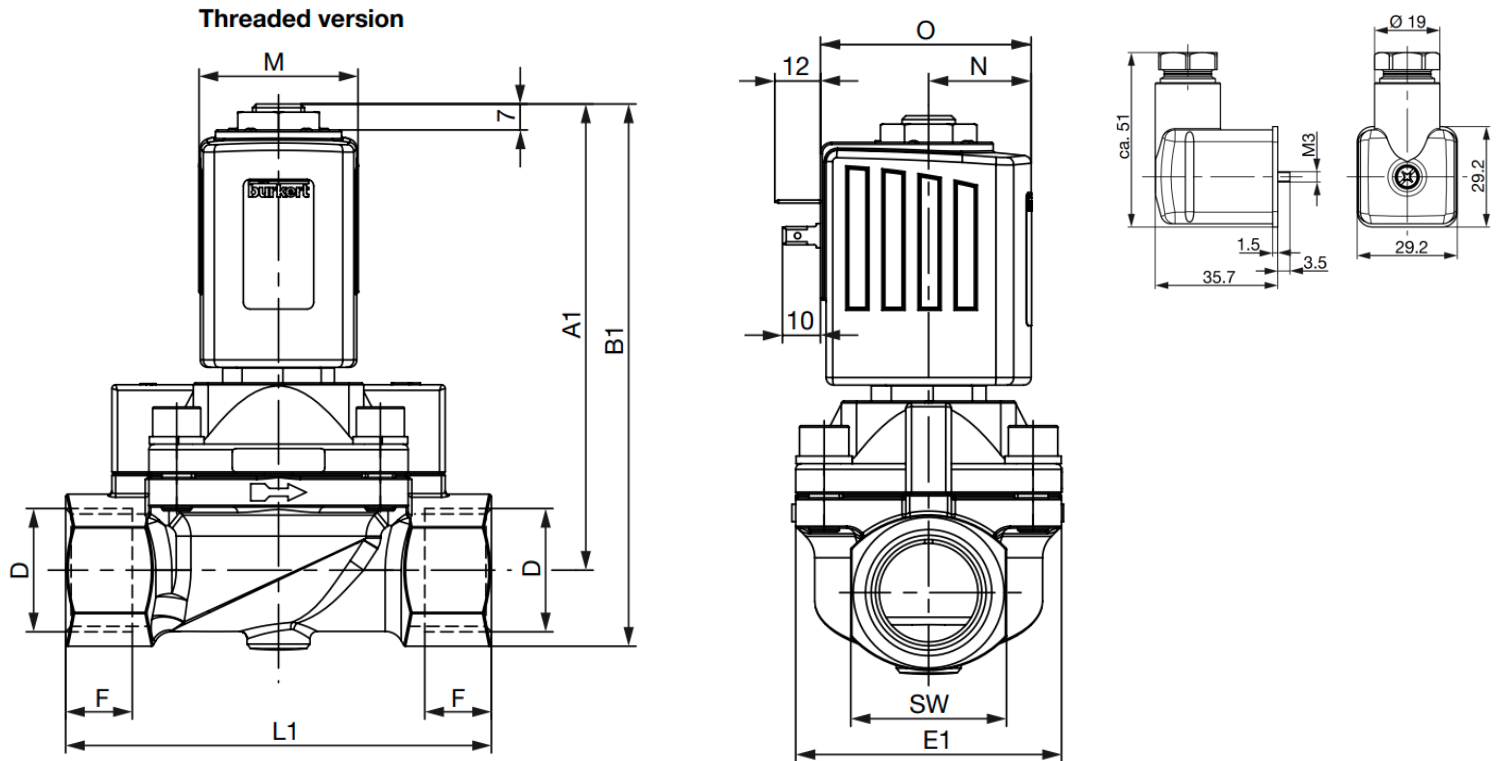
Das BB6407 ist ein servounterstütztes Kolben-Magnetventil mit einem Nenndruck von 0-10 Bar. Das angebotene Modell ist für Dampf und heiße gasförmige Medien bis 180°C geeignet. Angeboten in Größen von ½" -1½" BSP, mit Messinggehäuse und PTFE-Dichtungen. Das Ventil ist vibrationsfest und wird mit einer energiesparenden Push-Over-Spule geliefert. Spannung: 24 V DC, 24 V AC, 110 V AC und 230 V AC.

Descripción

La BB6407 es una electroválvula de pistón servoasistida, con una presión nominal de 0-10 bar. El modelo ofrecido es adecuado para vapor y medios gaseosos calientes hasta 180°C. Se ofrecen en tamaños de ½" -1½" BSP, con cuerpo de latón y sellos de PTFE. La válvula es resistente a las vibraciones y viene con una bobina de empuje que ahorra energía. Voltaje: 24V CC, 24V CA, 110V CA y 230V CA.

Description

Le BB6407 est une électrovanne à piston servo-assistée, avec une pression nominale de 0-10 Bar. Le modèle proposé est adapté à la vapeur et aux fluides gazeux chauds jusqu'à 180°C. Offert dans des tailles de ½" à 1½" BSP, avec corps en laiton et joints en PTFE. La vanne est résistante aux vibrations et est livrée avec une bobine push over à économie d'énergie. Tension : 24 V CC, 24 V CA, 110 V CA et 230 V CA.

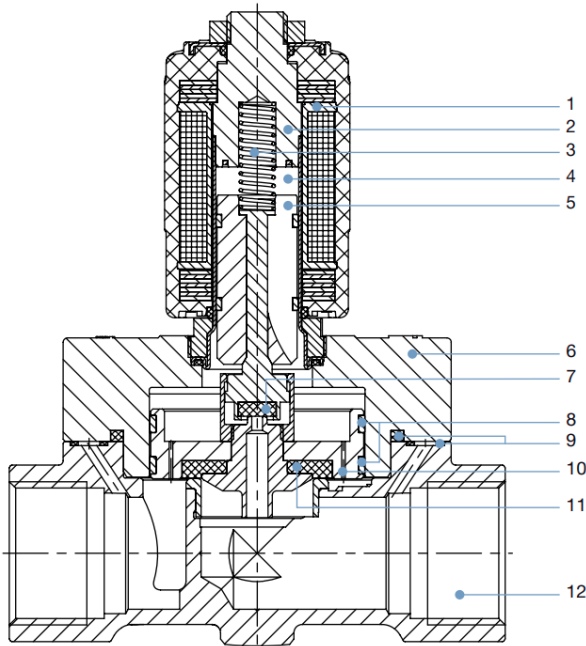


DN	Threaded Version in Brass						
	A	B	D	F	E1	L1	SW
13	118.7	132.7	G 1/2"	14	40	65	27
20	119.7	135.7	G 3/4"	16	60	100	32
25	125.7	146.2	G 1"	18	70	115	41
32	142.7	167.7	G 1 1/4"	20	85	126	50
32	146.7	176.7	G 1 1/2"	22	85	126	60

Coil Size	M	N	O
K	42	27	55.5
L	65	37.5	72

Solenoid Valve	Port	Orifice mm	K value (m ³ /h)	Pressure Bar	Max. temperature °C	Coil size mm	Voltage/Coil/Temperature		
2/2 way normally closed	G 1/2"	13	3.7	0-10	150	42	24 VDC		
					180	65	24 / 50	110 / 50	230 / 50
	G 3/4"	20	5.6	0-10	150	65	24 VDC		
					180	65	24 / 50	110 / 50	230 / 50
	G 1"	25	10	0-10	150	65	24 VDC		
					180	65	24 / 50	110 / 50	230 / 50
	G 1 1/4"	32	16	0-10	150	42	24 VDC		
					150	65	24 / 50	110 / 50	230 / 50
	G 1 1/2"	32	16	0-10	150	42	24 / 50		
					150	65	24 VDC	110 / 50	230 / 50

Threaded body



No.	Element	Material
1	Coil	Epoxy
2	Stopper	Stainless Steel 1.4113
3	Spring	Stainless Steel 1.4310
4	Armature guide tube	Stainless Steel 1.4303
5	Core	Stainless Steel 1.4113
6	Cover	Brass
7	Seal	PTFE
8	Piston rings	PTFE
9	Sealing rings	Graphite
10	Plunger	Brass
11	Piston seal	PTFE
12	Body	Brass

➤ **Cable plug DIN EN 175301-803
Form A Type 2518**



Material	
Seal	PTFE / Graphite
Body	Brass
Coil	Epoxy
Thermal insulation	H
Electrical data	
Duty Cycle	100% continuous rated
Voltage Tolerance	± 10%
Medium data	
Steam version	
Electrical Connection	Cable plug Ø 7mm cable
Degree of Protection	IP65 with plug
Installation	Any angle preferably upright
Ambient Temperature	50°C

Orifice mm	Coil size mm	Inrush VA	AC		DC		Switching time	
			Holding VA	W	Cold W	Warm W	Opening ms	Closing ms
13	42	140	41	16	21	16	30	250
20	42	150	41	16	-	-	30	250
25	42	160	41	16	-	-	60	700
32	42	170	41	16	-	-	80	900
20 to 32	65	-	-	-	28	21		

All information is sourced from our manufacturer's data and is intended for guidance only - Valves Online can accept no liability for changes, omissions or errors.

