

150LB Threaded Flange in 316L Stainless Steel

- Sizes ½" to 4" (DN15 – DN100)
- BS EN 10204. Standard
- 3.1B Certificates Available
- Bolts and Gaskets Supplied to Suit
- 316L Stainless Steel
- To ANSI/ASME B16.5 Standard

> Description

A Class 150 LB threaded bossed flange with raised face in 316L stainless steel, conforming to BS EN 10204 3.1B standard. Offered in BSPP, BSPT and NPT threads.

Available with full material traceability and 3.1B certification upon request.

Sizes ½" to 4" Bolt kit sizes shown in the table are for bolting two flanges together including the thickness of a gasket. If using a wafer pattern valve, longer bolts will be required.

> Benefits

½" to 4" Nominal Bore
BSPP female thread to ISO 228/1
BSPT thread to ISO 7/1
NPT thread to ANSI B2.1

Description

A 316L Stainless Steel 150LB screwed bossed flange, in options of BSPP, BSPT and NPT threads. Conforming to EN10204 3.1B standard. Sizes from ½" (DN15) to 4" (DN100). Full traceability and 3.1B certificates can be provided.

Beschreibung

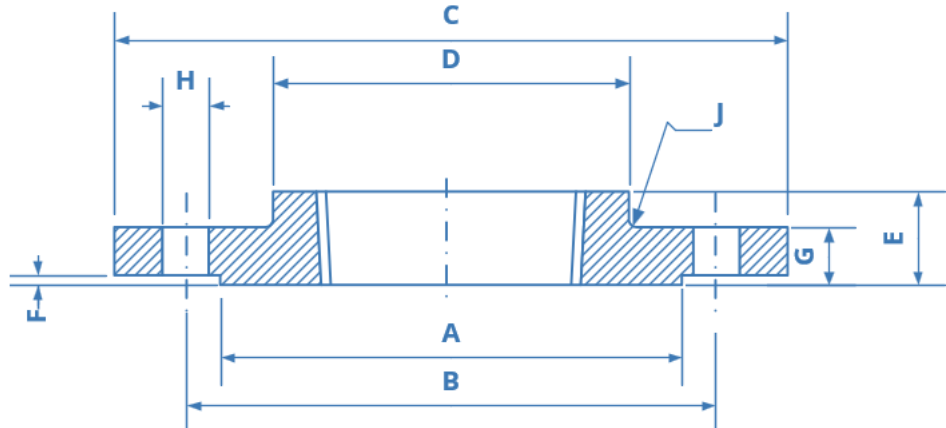
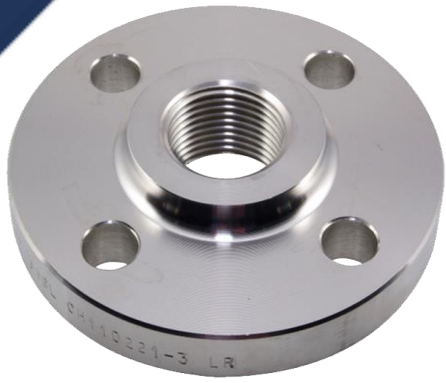
Ein Schraubflansch aus Edelstahl 316L, 150 LB, mit Optionen für BSPP-, BSPT- und NPT-Gewinde. Entspricht der Norm EN10204 3.1B. Größen von ½" (DN15) bis 4" (DN100). Vollständige Rückverfolgbarkeit und 3.1B-Zertifikate können bereitgestellt werden.

Descripción

Una brida roscada de acero inoxidable 316L 150LB, en opciones de roscas BSPP, BSPT y NPT. Conforme a la norma EN10204 3.1B. Tamaños desde ½" (DN15) hasta 4" (DN100). Se pueden proporcionar trazabilidad completa y certificados 3.1B.

Description

Une bride vissée à bossage en acier inoxydable 316L 150LB, en options de filetages BSPP, BSPT et NPT. Conforme à la norme EN10204 3.1B. Tailles de ½" (DN15) à 4" (DN100). Une traçabilité complète et des certificats 3.1B peuvent être fournis.



150LB Threaded Flange in 316L, Screwed BSPP, BSPT and NPT

Pipe Size	DN	Code BSPP	Code BSPT	Code NPT	A	B	C	D	E	F	G	H	J	Bolt	KG	Bolt Kit
1/2"	15	F150SP0.5	F150SP0.5 BSPT	F150SP0.5 NPT	34.9	60.3	88.9	30.2	15.9	1.6	11.1	15.9	3	4 x M12	0.4	BK02
3/4"	20	F150SP0.75	F150SP0.75 BSPT	F150SP0.75 NPT	42.9	69.8	98.4	38.1	15.9	1.6	12.7	15.9	3	4 x M12	0.7	BK03
1"	25	F150SP1.0	F150SP1.0 BSPT	F150SP1.0 NPT	50.8	79.4	107.9	49.2	17.5	1.6	14.3	15.9	3	4 x M12	0.9	BK03
1 1/4"	32	F150SP1.25	F150SP1.25 BSPT	F150SP1.25 NPT	63.5	88.9	117.5	58.7	20.6	1.6	15.9	15.9	3	4 x M12	1.2	BK03
1 1/2"	40	F150SP1.5	F150SP1.5 BSPT	F150SP1.5 NPT	73	98.4	127	65.1	22.2	1.6	17.5	15.9	3	4 x M12	1.5	BK03
2"	50	F150SP2.0	F150SP2.0 BSPT	F150SP2.0 NPT	92.1	120.6	152.4	77.8	25.4	1.6	19	19	3	4 x M16	2.3	BK04
2 1/2"	65	F150SP2.5	F150SP2.5 BSPT	F150SP2.5 NPT	104.8	139.7	177.8	90.5	28.6	1.6	22.2	19	3	4 x M16	3.7	BK06
3"	80	F150SP3.0	F150SP3.0 BSPT	F150SP3.0 NPT	127	152.4	190.5	107.9	30.2	1.6	23.8	19	3	4 x M16	4.2	BK06
4"	100	F150SP4.0	F150SP4.0 BSPT	F150SP4.0 NPT	157.2	190.5	228.6	134.9	33.3	1.6	23.8	19	3	8x M16	5.9	BK07



> Other Flanges in Stock

> Gaskets and Bolt Sets

