



## Sanitary Ball Valve OD Weld and Clamp Ends

- No Dead Space in Through Path
- Encapsulated Hygienic Seats
- All Materials Comply with FDA Requirements
- Good for use with CIP
- Easy to Actuate
- Fully Maintainable
- Clamp and Weld OD End Connections

A 3-piece sanitary ball valve, with a raised direct mounting pad for easy actuation. Offered in both OD weld ends and Tri-Clamp options, both offering high performance coupled with easy installation. True Tube full port which offers no dead space in the through path. CF8M body, with Live loaded stem packing compensates for wear and fluctuations. Wetted surface < RA 0.8µm and body surface electropolished. Seals conform to FDA requirements.

### Technical Info

All wetted parts are mechanically polished to < Ra 0.8µm. All valve components are cleaned and inspected to verify the removal of all contamination, including grease, dust, or other hydrocarbon residues.

### Clamp and weld Ends

#### CAVITY FILLED SEATS

Cavity filled seats are designed to eliminate the cavity around the ball, minimize trapped fluid in the valve body that can contaminate the process. Cavity Filled Seats offer excellent performance in control of food products, pharmaceuticals and high velocity applications.



#### Description

A true full bore ball valve, suitable for sanitary applications, having encapsulated PTFE body seals. Fully maintainable and suitable for CIP. The unique top platform enables direct mounting of electric and pneumatic actuators. Temperature Range -10°C to 180°C.



#### Beschreibung

Ein echter Vollbohrungs-Kugelhahn, geeignet für Sanitäranwendungen, mit gekapselten PTFE-Gehäusedichtungen. Vollständig wartbar und für CIP geeignet. Die einzigartige obere Plattform ermöglicht die direkte Montage von elektrischen und pneumatischen Antrieben. Temperaturbereich -10°C bis 180°C.



#### Descripción

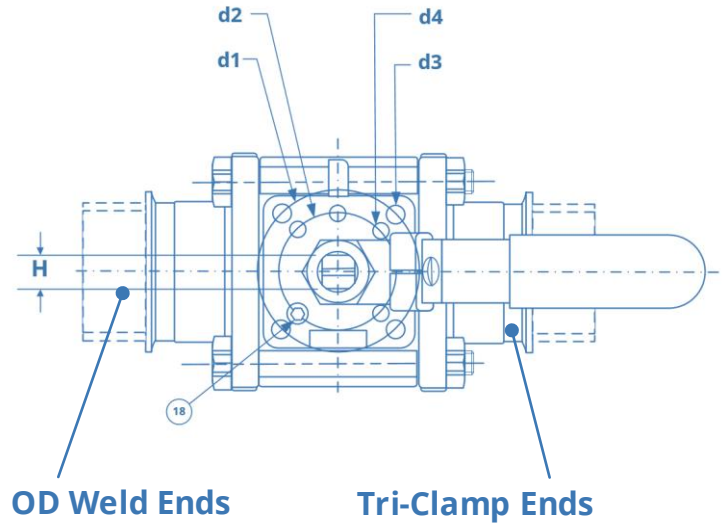
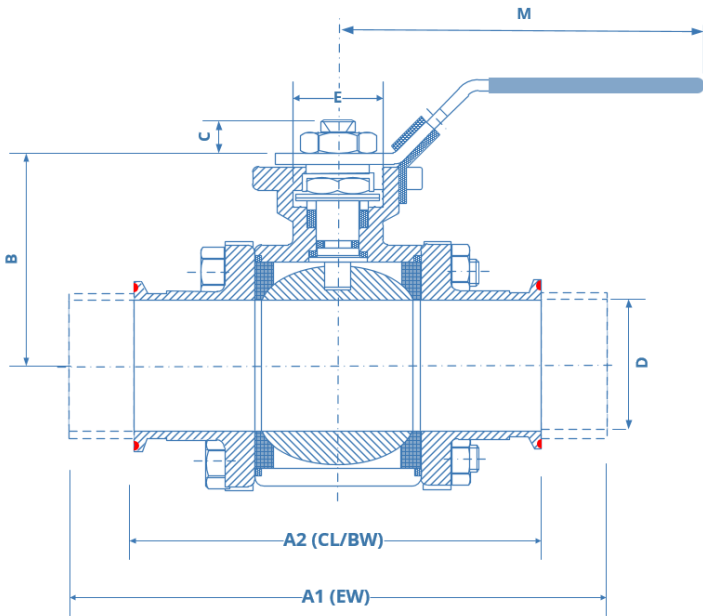
Una verdadera válvula de bola de diámetro completo, adecuada para aplicaciones sanitarias, con sellos de cuerpo de PTFE encapsulado. Totalmente mantenible y adecuado para CIP. La exclusiva plataforma superior permite el montaje directo de actuadores eléctricos y neumáticos. Rango de temperatura -10°C a 180°C.



#### Description

Véritable robinet à tournant sphérique à passage intégral, adapté aux applications sanitaires, avec joints de corps en PTFE encapsulés. Entièrement maintenable et approprié pour CIP. La plateforme supérieure unique permet le montage direct d'actionneurs électriques et pneumatiques. Plage de température -10°C à 180°C.

For manual use a lockable lever with Blue PVC sleeve can be offered.



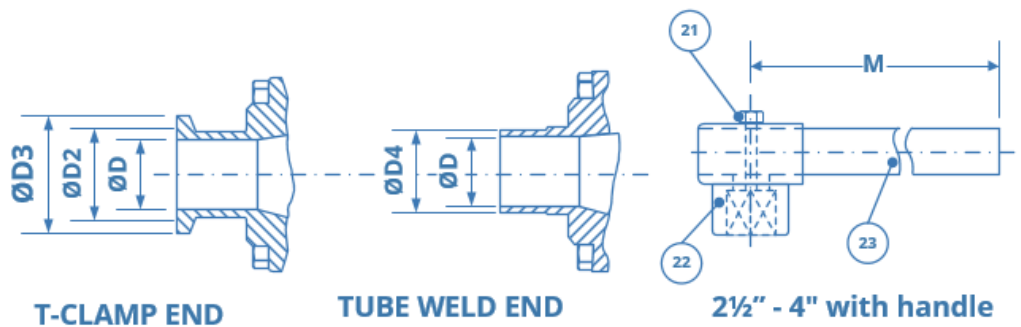
- All Materials Comply with FDA Requirements

**Dimensions for BV5509 Sanitary Ball Valve**

Size	A1	A2	B	C	D	d1	d2	d3	d4	E	H	M	Wt.Kg Clamp	Wt.Kg Tube	ISO 5211
1/2"	124.5	88.9	35	9.5	9.6	42	36	6	6	9	9	135	0.76	0.71	F03/F04
3/4"	142.2	101.6	39	9.5	15.8	42	36	6	6	9	9	135	0.87	0.91	F03/F04
1"	132.2	114.3	48	14	22.1	50	42	7	6	11	11	155	1.44	1.26	F04/F05
1 1/2"	182.8	139.7	64	18	34.8	70	50	9.2	7	14	14	205	3.29	3.24	F05/F07
2"	193	158.8	70	18	47.5	70	50	9.2	7	14	14	205	4.57	3.59	F05/F07
2 1/2"	254	171.5	90	22	60.2	102	70	11.3	9	17	17	290	9.46	9.9	F07/F10
3"	279.5	196.8	99	22	72.9	102	70	11.3	9	17	17	290	12.81	13.19	F07/F10
4"	304.8	241.3	131	26	97.3	125	102	13.5	11.3	17	22	335	20.33	21.13	F10/F12

**Dimensions (mm)**

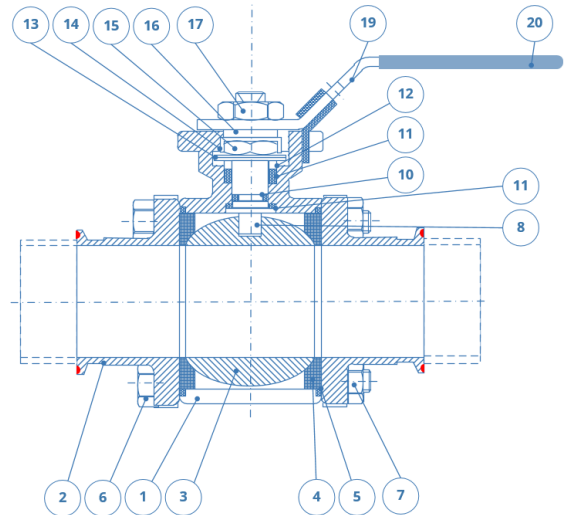
Size	D	D2	D3	D4
1/2"	9.6	21.7	25	12.7
3/4"	15.8	21.7	25	19.1
1"	22.1	43.5	50.4	25.4
1 1/2"	34.8	43.5	50.4	38.1
2"	47.5	56.5	63.9	50.8
2 1/2"	60.2	70.5	77.4	63.5
3"	72.9	83.3	90.9	76.2
4"	97.3	110.3	119	102



All information is sourced from our manufacturer's data and is intended for guidance only - Valves Online can accept no liability for changes, omissions or errors.

**Material List**

NO.	Parts	Materials	Materials	QTY
1	Body	A351 Gr. CF8M	A351 Gr. CF8M	1
2	End Cap	A351 Gr. CF8M	A351 Gr. CF8M	2
3	Ball	SS316	SS316L	1
4	Seat	PTFE	TFM1600	2
5	Gasket	PTFE	PTFE	2
6	Body Bolt	SS 304	SS 304	4*
7	Body Nut	SS304	SS304	4*
8	Stem	SS316	SS316L	1
9	Thrust Washer	RPTFE	RPTFE	1
10	O-Ring	FKM	FKM	1
11	Stem Packing	PTFE	TFM	1 set
12	Gland Washer	SS 304	SS 304	1
13	Disc Washer	SUS301	SUS301	2
14	Nut Stopper	SS 304	SS 304	1
15	Stem Nut	SUS304	SUS304	1
16	Space Washer	SUS304	SUS304	1
17	Handle Nut	SUS304	SUS304	1
18	Stop Pin	SS 304	SS 304	1
19	Handle Nut	SUS304	SS 304	1
20	Stop Pin	SUS304	SUS304	1
21	Handle	SUS304	SUS304	1
22	Sleeve	Plastic	Plastic	1
23	Set Bolt	SS 304	SS 304	1
24	Lever Head	CF8	CF8	1
24	Lever	Steel Pipe	Steel Pipe	2



- \*4" with 6 Bolts and Nuts

SIZE	Break away Torque Nm
1/2"	7
3/4"	8
1"	11
1 1/2"	30
2"	33
2 1/2"	75
3"	94
4"	116

N.B.: The torque values above do not include any safety factor. It is strongly recommended to add 30% - 50% when mounting an actuator to allow for media viscosity

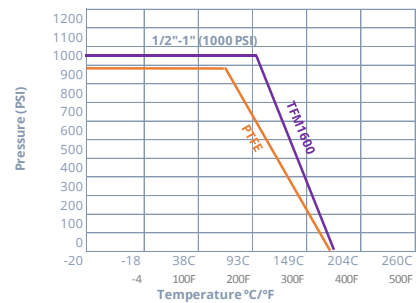
- If dismantling the valve, it is recommended to replace the seals with new repair kits, especially the gasket to prevent the valve from leaking.
- When mounting an actuator, PTFE is better than RPTFE (+15% glass). Glass fiber will wear the ball and cause the torque value to increase after 500 open/dose operations. TFM or TFM4215 is recommended over RPTFE.



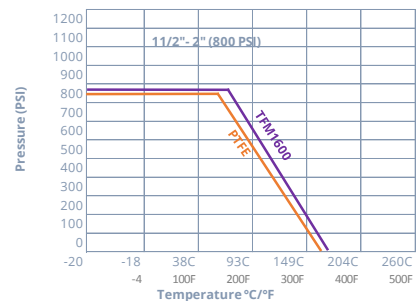
**Easy to Actuate**

All information is sourced from our manufacturer's data and is intended for guidance only - ValvesOnline can accept no liability for changes, omissions or errors.

Pressure V Temperature Chart **1/2" - 1"**



Pressure V Temperature Chart **1 1/2" - 2"**



Pressure V Temperature Chart **2 1/2" - 3"**

