

SKU: BV5154

-  MARS Series 91D Flanged ANSI 300 Ball Valve
-  MARS Serie 91D mit Flansch ANSI 300 -Kugelhahn
-  MARS Serie 91D con bridas ANSI Válvula de bola 300
-  MARS Série 91D brides ANSI 300 Ball Valve

Valves[™]
O N L I N E

- 1/2" - 6" Carbon Steel Flanged Ball Valve
- 1/2" - 6" C-Stahl Flansch-Kugelhahn
- 1/2" - 6" Válvula de bola con bridas de acero al carbono
- 1/2" - 6" Brides en acier au carbone Ball Valve



- Fire-safe and Antistatic
- Reduced Bore
- ISO Top for Easy Actuation
- Carbon Steel Body
- ANSI 300

MARS Series 91D is a high performance, reduced bore, flanged ANSI 300 ball valve. The valve is a single piece compact body that is **Fire Safe Certified** to API 607 4th Edition with **Antistatic** spring loaded stem to ball and stem to body anti-static device fitted as standard. The valve has an ISO mounting pad with a square stem top for direct mounting for actuation. A Lockable lever is supplied as standard for manual operation. The seats are RTFE with Graphite seals and can be replaced and maintained.

MARS Series 91D
C.S. ANSI 300

FIRE SAFE AND
ANTI - STATIC
API 607 4th Edition
Certified



Description

Direct mount, flanged manual ball valve with reduced bore. The valve offers one piece design with carbon steel fire safe body antistatic feature and RTFE seats / Graphite seals. Supplied with latch locking lever.
1/2" to 6" ANSI 300
Temperature Range -20°C to 200°C.



Beschreibung

Direktmontage, Flansch manuellen Kugelhahn mit reduziertem Durchgang. Das Ventil bietet ein Stück Design mit Stahl Feuer sicheren Körper antistatische Eigenschaft und RTFE Sitze / Graphit -Dichtungen. Geliefert mit Verriegelung Querbügel.
1/2" bis 6" ANSI 300
Temperaturbereich -20 ° C bis 200 ° C .



Descripción

Montaje directo, con bridas de válvula de bola manual con paso reducido. La válvula ofrece diseño de una pieza con el cuerpo de seguridad contra incendios de acero al carbono característica antiestática y asientos RTFE / sellos de grafito. Se suministra con palanca de bloqueo de cierre.
1/2" a 6" ANSI 300
Rango de temperatura de -20°C a 200°C .



Description

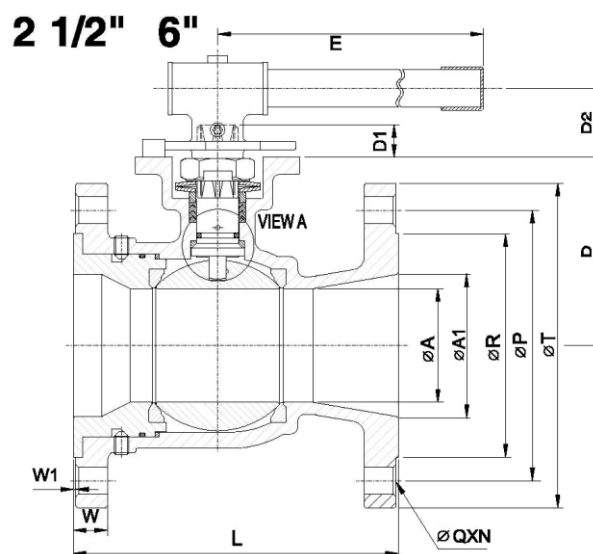
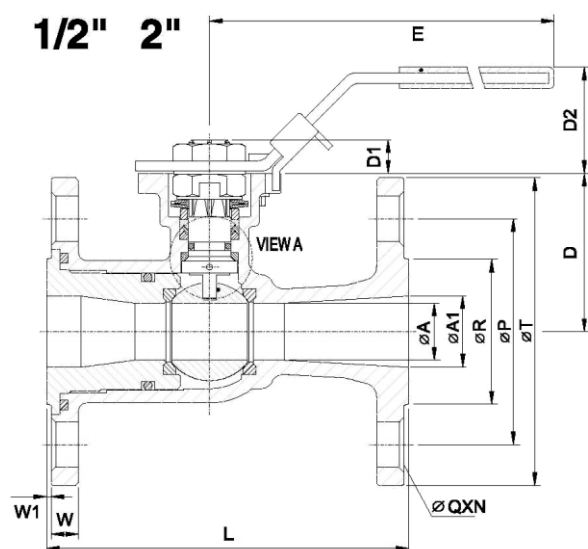
Montage direct, bridé vanne manuelle à bille avec alésage réduite. La vanne offre conception monobloc avec le corps en toute sécurité d'incendie de l'acier au carbone caractéristique antistatique et sièges RTFE / joints en graphite. Livré avec levier de verrouillage de verrouillage.
1/2" à 6" ANSI 300
Gamme Température -20°C à 200°C .

**Suitable for both Electric
and Pneumatic Actuation**

-  MARS Series 91D Flanged ANSI 300 Ball Valve
-  MARS Serie 91D mit Flansch ANSI 300 -Kugelhahn
-  MARS Serie 91D con bridas ANSI Válvula de bola 300
-  MARS Série 91D brides ANSI 300 Ball Valve

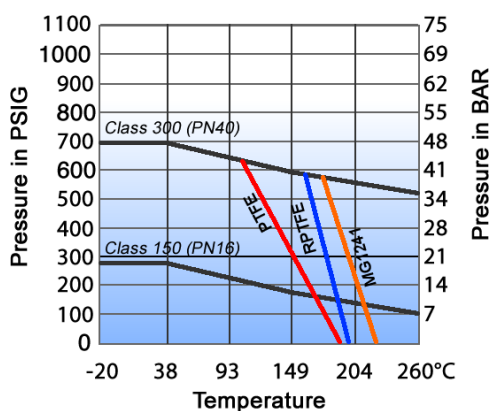
MARS 91D Flanged ANSI 300 Ball Valve

ANSI 300 Carbon Steel



Dimensions for Carbon Steel ANSI 300

Size	ØA	B	C	D	D1	D2	ØI	ØJ	L	N	ØP	ØQ	ØR	ØT	W	W1	Ød1	Ød2	ISO 5211
1/2"	12.7	11	165	48.7	9.9	36	42	50	140	4	66.5	16	35.1	95.3	14.3	1.6	6.5	7	F04/F05
3/4"	15	11	165	63.5	10.3	37	42	50	152	4	82.6	19.1	42.9	117.3	15.8	1.6	6.5	7	F04/F05
1"	20	11	165	63.5	10.3	37	42	50	165	4	88.9	19.1	50.8	124	17.6	1.6	6.5	7	F04/F05
1 1/2"	32	14	215	78.7	12.9	47	50	70	191	4	144	22.2	73.2	155.5	20.5	1.6	7.5	9	F05/F07
2"	38	17/19	263	89.1	18.1	55	70	102	216	8	127	19.1	91.9	165.1	22.4	1.6	10	12	F07/F10
2 1/2"	50	17/19	263	98.6	17	55	70	102	241	8	149	22.2	104.6	190.6	25.4	1.6	10	12	F07/F10
3"	65	17/19	365	116	19	44.3	70	102	282	8	168	22.2	127	209.6	28.5	1.6	10	12	F07/F10
4"	80	22	365	133	23	48.4	102	125	305	8	200	22.2	157.2	254	31.8	1.6	12	14	F10/F12
6"	111	27	750	180	28.5	65	125	140	403	12	270	22.2	215.9	317.5	36.6	1.6	14	18	F12/F14



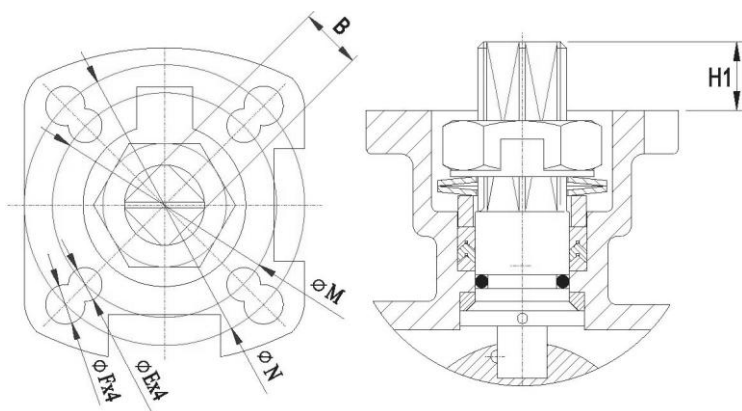
-  MARS Series 91D Flanged ANSI 300 Ball Valve
-  MARS Serie 91D mit Flansch ANSI 300 -Kugelhahn
-  MARS Serie 91D con bridas ANSI Válvula de bola 300
-  MARS Série 91D brides ANSI 300 Ball Valve

MARS 91D Flanged ANSI 300 Ball Valve

ANSI 300 Carbon Steel

Typical applications - for manual or automatic shut off.

This type of valve is generally used in Industrial and Chemical Processes or applications in hazardous areas that require a more arduous duty.



91D Series

size	B	H1	M	N	E	F	ISO 5211
1/2"	11	9.4	42	50	6.5	7	F04/F05
3/4"	11	9.9	42	50	6.5	7	F04/F05
1"	11	9.9	42	50	6.5	7	F04/F05
1 1/2"	14	12.9	50	70	7.5	9	F05/F07
2"	17	18.1	70	102	10	12	F07/F10
2 1/2"	17	19	70	102	10	12	F07/F10
2"	17	19	70	102	10	12	F07/F10
4"	22	23	102	125	12	14	F10/F12
6"	27	28.5	125	140	14	18	F12/F14

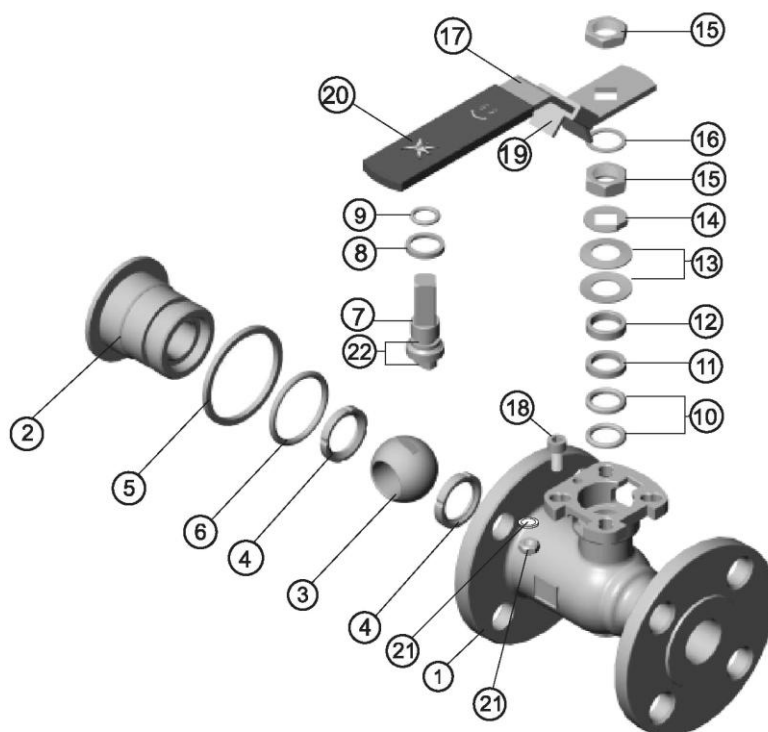
Break Away Torque & Cv Values

Size	DN	Inch-Lb	NM	Cr U.S.GPM	Kv M3/hour
1/2"	15	89	10	9	8
3/4"	20	89	10	15	13
1"	25	124	14	42	36
1 1/4"	32	292	33	125	108
1 1/2"	40	354	40	165	140
2"	50	390	44	-	-
2 1/2"	65	523	59	350	298
2"	80	851	96	680	578
4"	100	1878	212	1020	867

-  MARS Series 91D Flanged ANSI 300 Ball Valve
-  MARS Serie 91D mit Flansch ANSI 300 -Kugelhahn
-  MARS Serie 91D con bridas ANSI Válvula de bola 300
-  MARS Série 91D brides ANSI 300 Ball Valve

MARS 91D Flanged ANSI 300 Ball Valve

Materials			
No.	Part Name	Material	Qty
1	Body	WCB	1
2	Cap	WCB	1
3	Ball	SUS316	1
4	Seat	RPTFE	2
5	Joint Gasket	PTFE	1
6	O-Ring	VITON	1
7	Stem	SUS316	1
8	Stem Seal	RPTFE	1
9	O-Ring	VITON	1
10	Gland Packing	PTFE	5
11	Gland Packing	25% Glass Filled + PTFE	1
12	Gland Bush	SUS304	1
13	Belleville Washer	SUS301	2
14	Stop Washer	SUS304	1
15	Stem Nut	SUS304	2
16	Stem Washer	SUS304	1
17	Handle	SUS304	1
18	Stop Pin	SUS304	1
19	Locking Device	SUS304	1
20	Handle Sleeve	Vinyl	1
21	Pin Nut	SUS304	1
22	Antistatic Device	SUS304	2



Standard Specification			
Construction	One Piece Body Flanged Ball Valves Reduced Port Investment Cast: 1/2"-6"	Compliance Standards	ASME/ANSI B16.34, ANSI B 16.10, API 598, API 607/4, BS5351, BS6755, BS5159.
Size Range	1/2" - 6"	Material Certificate	EN 10204 - 3.1
Pressure rating	Carbon Steel ANSI 150 Stainless Steel ANSI 150 Carbon Steel ANSI 300	Quality System	ISO 9001
Valve Material	Standard: ASTM A351 Gr. CF8M / DIN 1.4408 Options: WCB, 316L S/S, Titanium, Duplex, Hastelloy C, Alloy 20	Options	NCE MR - 0175 Stand Valve is non-fire safe design, fire safe valve is optional
Seat Material	Standard: R-TFE / PTFE Options: TFM 1600, PEEK, Carbon Filled PTFE, DERLIN, UHMWPE, 50/50 S/S filled PTFE, Metal Seats... and others	Inspection and Test	API 598, BS6755 Part 1