



Compression Ended Ball Valve

- Colour Coded Handle
- WRAS Approved
- Compression Ends
- – 20°C to 110°C
- PN40/32 rated

Description

A robust nickel plated brass ball valve. The ends are compression ended Copper to Copper. Full bore with a brass hard chrome plated ball. A choice of Red, Yellow or Blue PVC coated Butterfly Handle, with a 90° rotation. Ideal for HVAC and domestic water applications.

Red Lever 15mm – 54mm
Blue Lever 15mm – 54mm
Yellow Lever 15mm – 28mm

Nickel Plated
Colour Coded Butterfly Lever
Compression Ends for Copper Pipe
-20°C to 110°C
PN40/32 Rated



Description

Compression ended (copper to copper) nickel plated full bore ball valve, with red, blue or yellow PVC coated butterfly lever.
15mm PN40, 22-28mm PN32,
Temperature Range -20° C to 110° C.



Beschreibung

Vernickelter, vernickelter Kugelhahn mit Kompressionsende (Kupfer zu Kupfer) mit rotem, blauem oder gelbem PVC-beschichtetem Klappenhebel.
15 mm PN40, 22-28 mm PN32,
Temperaturbereich -20° C bis 110° C.



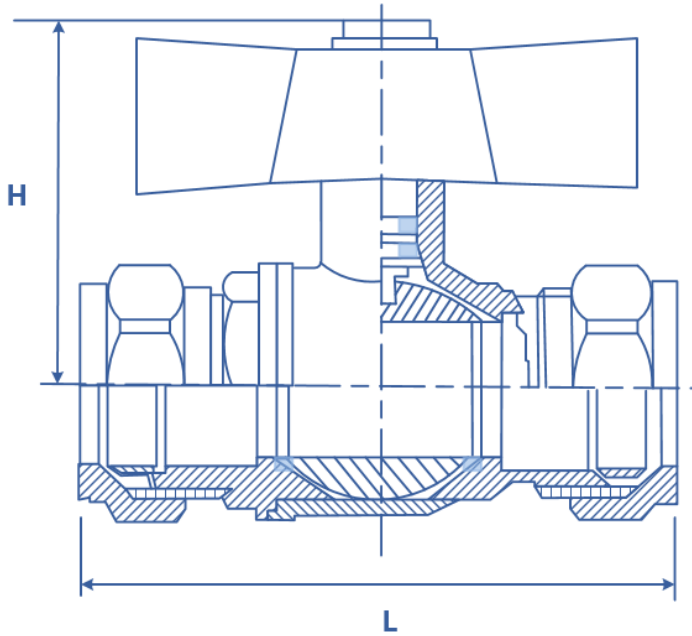
Descripción

Válvula de bola de paso total niquelada con terminación de compresión (cobre a cobre), con palanca de mariposa recubierta de PVC rojo, azul o amarillo.
15 mm PN40, 22-28 mm PN32, rango de temperatura de -20 ° C a 110 ° C.



Description

Vanne à boisseau sphérique à passage intégral nickelé (cuivre à cuivre) à compression, avec levier papillon enduit de PVC rouge, bleu ou jaune.
15 mm PN40, 22-28 mm PN32, plage de température -20° C à 110° C.



A Robust Compression Ended Brass Ball Valve, Nickel Plated. Ends are Compression ended Copper to Copper. Full bore with a brass hard chrome plated ball. A choice of Red, Yellow or Blue coded PVC coated insulated Butterfly lever, with 90° rotation in operation.

Dimensions shown are for guidance only

Dimensions in mm

Size mm	Length	Height	Kg
15	71	48	0.2
22	83	55	0.34
28	91	90	0.55

Typical Applications
Domestic Water and Heating Systems

Material List

Body	Brass
Ball	Brass hard chrome plated
Seats	PTFE
Stem	Brass
Handle	Steel coloured PVC handles
Compression nut	Brass
Compression cone	Brass

Pressure / Temperature

Size	15-28mm	Up to 110°C	Max Pressure 25 Bar
------	---------	-------------	---------------------

WRAS
APPROVED
PRODUCT