



2/2 Way Stainless Steel 2 - Piece Manual Ball Valve.

- 2 Piece Design
- 1/4" to 4"
- Body ASTM A351 CF8M
- Screwed BSP
- ISO Mounting Pad for Easy Actuation
- Full Bore
- 1000 psi – 180°C

The VOLT 5501 is a well proven Direct mount ball valve designed to industry Standards, comprising of a two piece investment cast body with PTFE/FKM sealing. The valve finds wide use in fluid media while offering higher cycle life with reduced torque. The self-adjusting packing gland consists of dual sealing with an alignment collar for superior tightness. The valve is ideally suited for open/closed operation and Isolation for use in conjunction with pneumatic or electric actuators. The ball is full bore style, offering the Kv and pressure drop similar to that of an open line.

Design Advantages

An economical ball valve that offers high performance that's usually associated with much more expensive valves.

Blow - out proof stem

Prevents stem blowing out for maximum safety.

Easy to Actuate

2 piece body with ISO Mounting Pad.

Standard Valve *fitted with PTFE Seats*

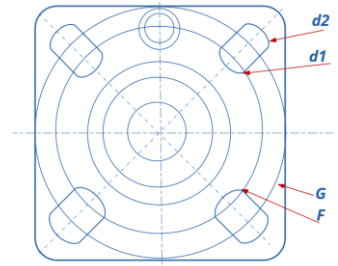
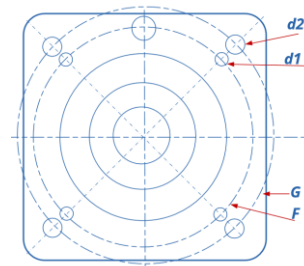
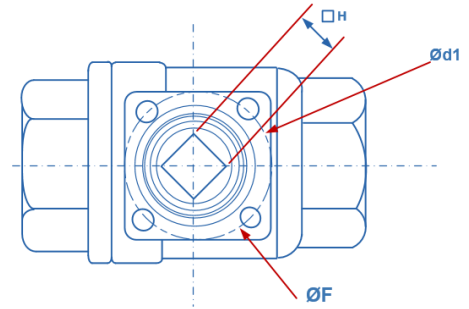
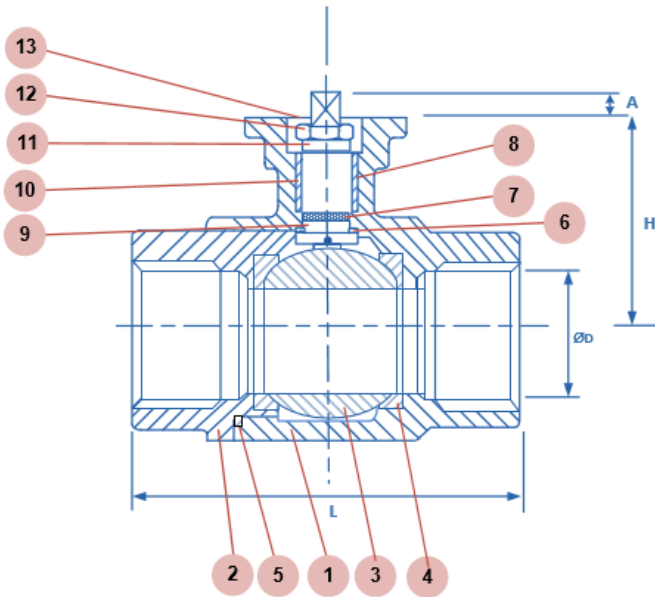
Specification	
Pressure range	1/4" to 4" 1000 PSI/PN63
Size	1/4" to 2" 1000 PSI 2 1/2" to 3" 800 PSI
Temperature range	-20° to +180° PTFE,
Movement	90 deg turn
Cycle life	1,000,000 operations
Diameter Class	Full Port
Packing Gland	Self Adjusting PTFE & FKM
End Connections	BSP

Pneumatic and Electric Actuation



STOCKED PRODUCT

All information is sourced from our manufacturer's data and is intended for guidance only - Valves Online can accept no liability for changes, omissions or errors.



2 1/2" to 4"

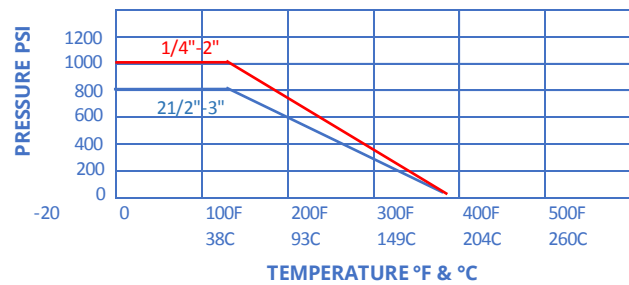
1/4" to 1 1/4"

Material List

NO.	Parts	Materials	QTY
1	Body	CF8M	2
2	End cap	CF8M	1
3	Ball	SS316	1
4	Seat	PTFE	2
5	Gasket	PTFE	2
6	Thrust Washer	RPTFE	4
7	O-Ring	Viton	1
8	Stem Packing	PTFE	1
9	Stem	SUS316	1
10	Gland	SUS304	1
11	Disc Washer	SUS304	1
12	Stem Nut	SUS304	1
13	Nut Stop	SUS304	1

Pressure - Temperature Limits

SIZE 1/4" - 3"



Dimensions

Size	A	B	C	D	d1	d2	E	F	G	H	L
1/4"	37	9	130	11	6	6	66	36	42	9	56.5
3/8"	37	9	130	12.5	6	6	66	36	42	9	56.5
1/2"	37	9	130	15	6	6	66	36	42	9	59
3/4"	40	11	130	20	6	6	69	36	42	9	71.5
1"	48	14	160	25	6	7	80	42	50	11	79.5
1 1/4"	53.5	14	160	32	6	7	85	42	50	11	92
1 1/2"	63.5	18	205	38	7		98	50		14	104.5
2"	72	18	205	50	7		106	50		14	123.5
2 1/2"	93.5	18	310	63.5	9	11.5	147	70	102	17	166
3"	104	18	310	78	9	11.5	157	70	102	17	185
4"	132	26	350	99	11.5	13.5	193	102	125	22	219

Pneumatic and Electric Actuation



All information is sourced from our manufacturer's data and is intended for guidance only - ValvesOnline can accept no liability for changes, omissions or errors.