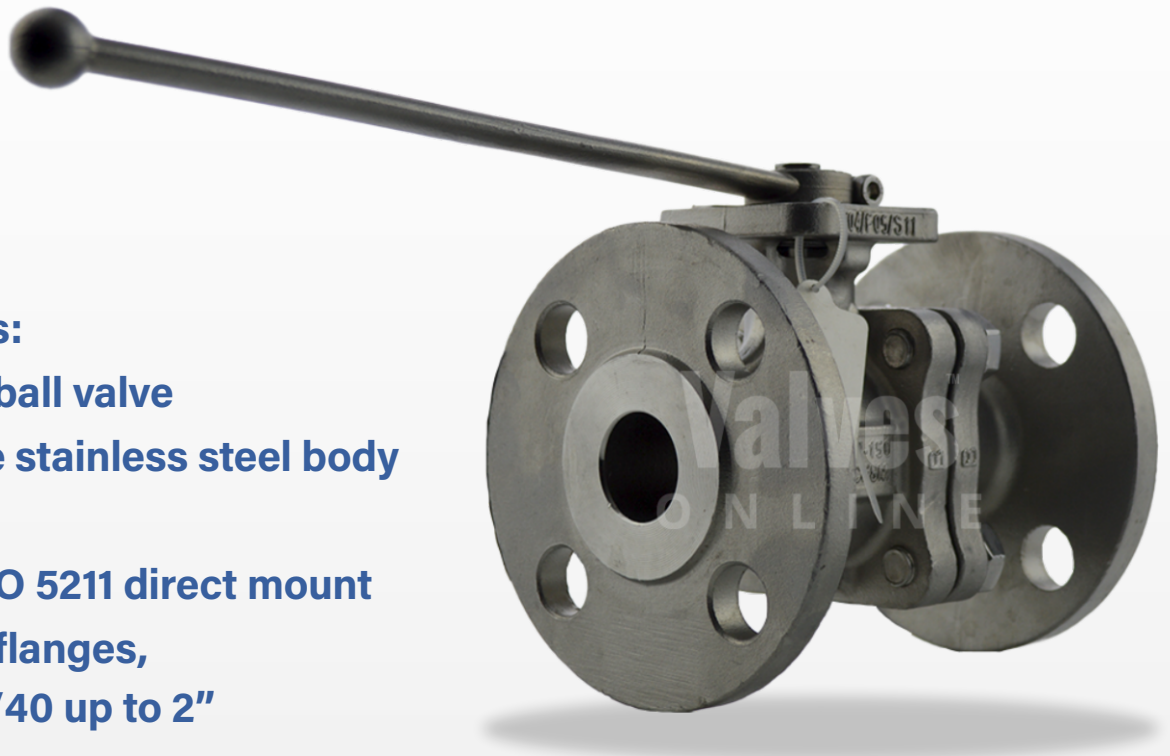


ECONOMY STAINLESS STEEL

PN16 BALL VALVE



Key features:

- Economy ball valve
- Two-piece stainless steel body
- Full bore
- Built-in ISO 5211 direct mount
- Fits PN16 flanges, and PN16/40 up to 2"
- RTFE/TFM1600 seat
- Sizes available: ½" to 6"
- ATEX approved



DETAILS

A full-bore ball valve with a two-piece split stainless steel body, a RTFE/TFM1600 seat, with a built-in ISO 5211 mounting pad for easy actuation.

Suitable for mounting between PN16 flanges, and additionally PN16/40 up to 2" size.

Available in sizes: ½" (DN15), ¾" (DN20), 1" (DN25), 1 ¼" (DN32), 1 ½" (DN40), 2" (DN50), 2 ½" (DN65), 3" (DN80), 4" (DN100), 5" (DN125), and 6" (DN150).

These valves are manufactured to the following standards: Face-to-face: EN558-1 R27, flanged ends to EN 1092-1, wall thickness to EN12516-1, and test to EN 12266-1.

The valves have the following certifications: Fire Safe API 607 4th Edition, DNV certified, NACE MR0175, and is ATEX approved

Call 01822 855600 to discuss your project or application further with a member of our technical team or contact us via our online form.

ECONOMY STAINLESS STEEL

PN16 BALL VALVE

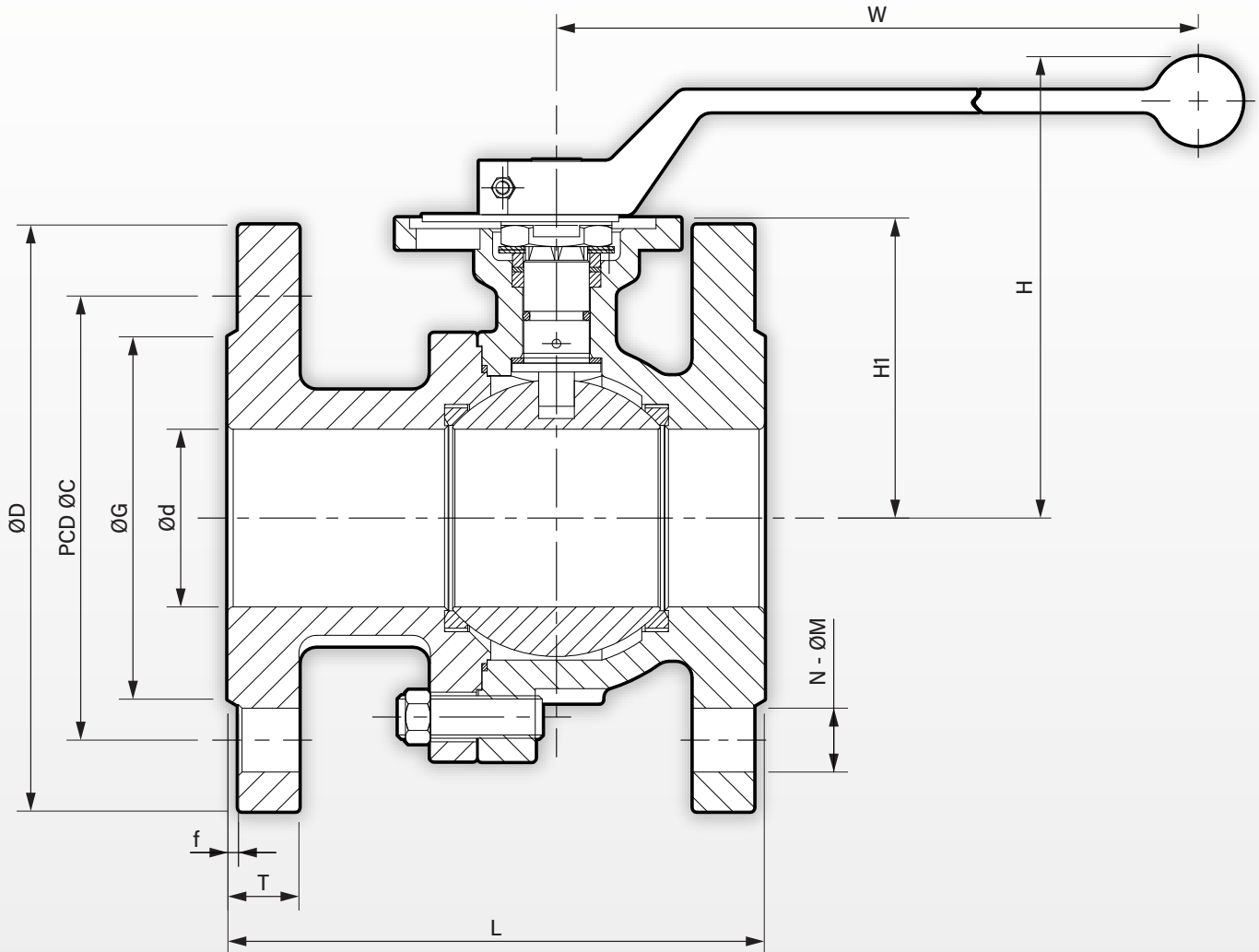


TABLE 1: DIMENSIONS IN MM
½" TO 4" BALL VALVES

Size	DN	PN	Ød	ØD	ØG	PCD ØC	f	T	N - ØM	L	H	H1	W	ISO 5211	Weight
½"	DN15	PN16/40	15	95	45	65	2	16	4 - 14	115	87.0	50.5	190	F03/F04	2.3 kg
¾"	DN20	PN16/40	20	105	58	75	2	18	4 - 14	120	90.5	54.0	190	F03/F04	2.9 kg
1"	DN25	PN16/40	24	115	68	85	2	18	4 - 14	125	92.4	58.5	190	F04/F05	3.9 kg
1¼"	DN32	PN16/40	30	140	78	100	2	18	4 - 18	130	106.9	71.5	190	F04/F05	5.5 kg
1½"	DN40	PN16/40	38	150	88	110	3	18	4 - 18	140	121.9	76.5	235	F05/F07	7.3 kg
2"	DN50	PN16/40	50	165	102	125	3	20	4 - 18	150	129.9	84.5	235	F05/F07	10.0 kg
2½"	DN65	PN16	64	185	122	145	3	18	4 - 18	170	155.8	105.0	325	F07/F10	15.3 kg
3"	DN80	PN16	76	200	138	160	3	20	8 - 18	180	162.3	110.5	325	F07/F10	19.4 kg
4"	DN100	PN16	98	220	158	180	3	20	8 - 18	190	190.9	136.0	325	F10/F12	25.7 kg
5"	DN125	PN16	125	250	188	210	3	22	8 - 18	325	232.0	180.0	756	F10/F12	43.0 kg
6"	DN150	PN16	150	285	212	240	3	22	8 - 22	350	253.0	201.0	756	F10/F12	67.0 kg

ECONOMY STAINLESS STEEL

PN16 BALL VALVE

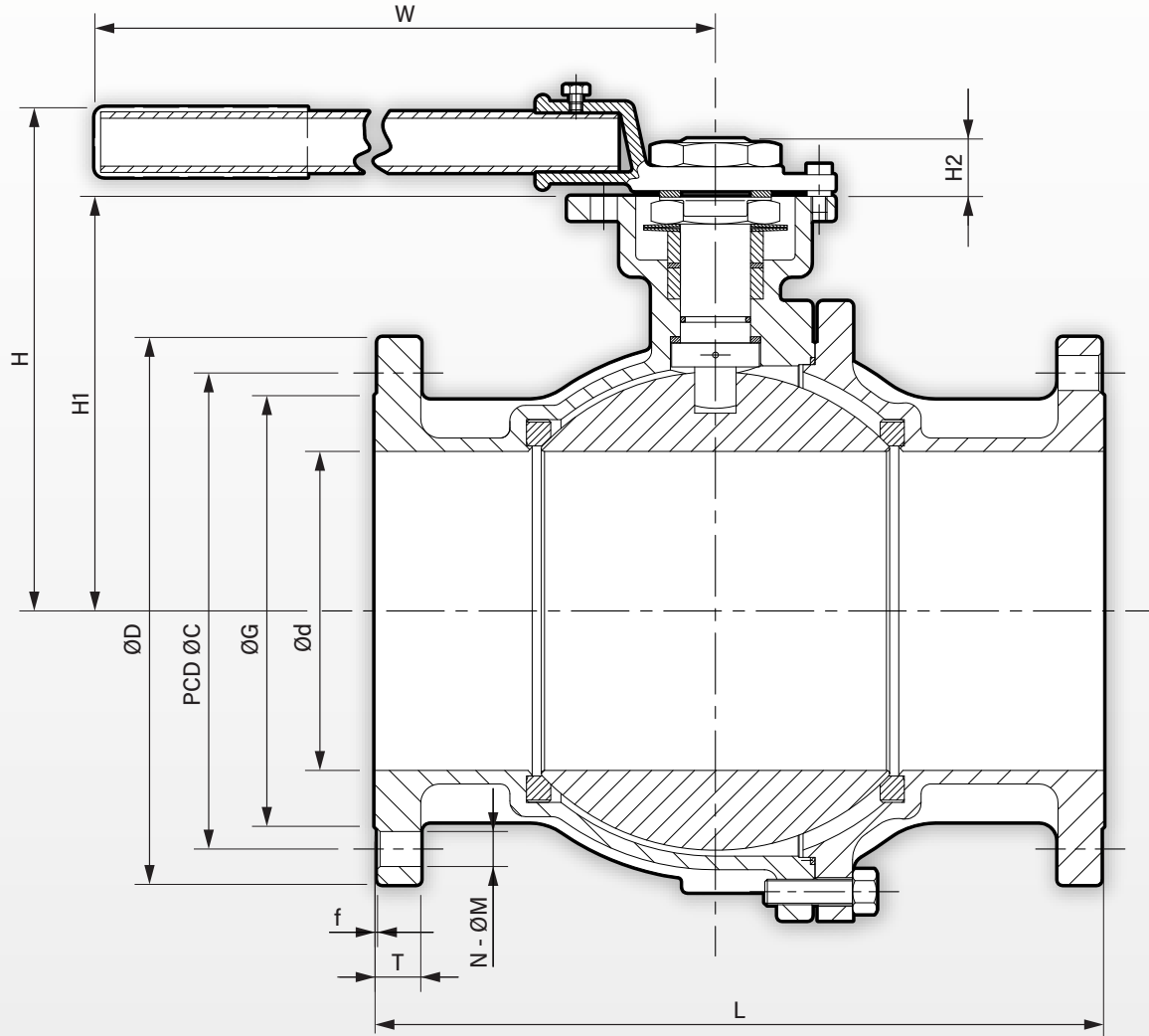
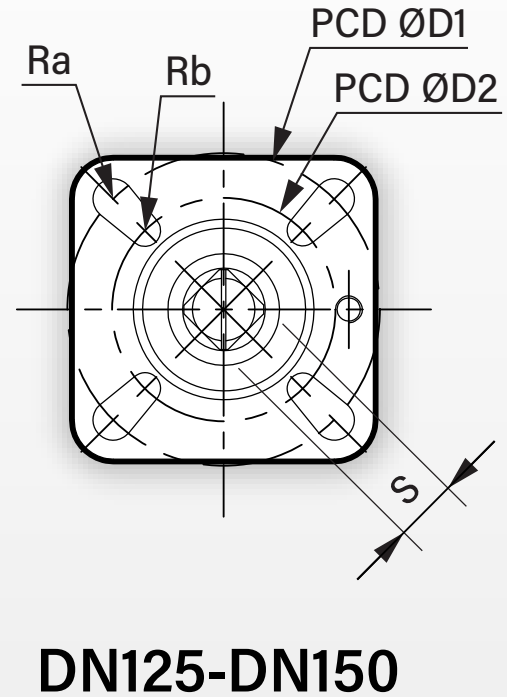
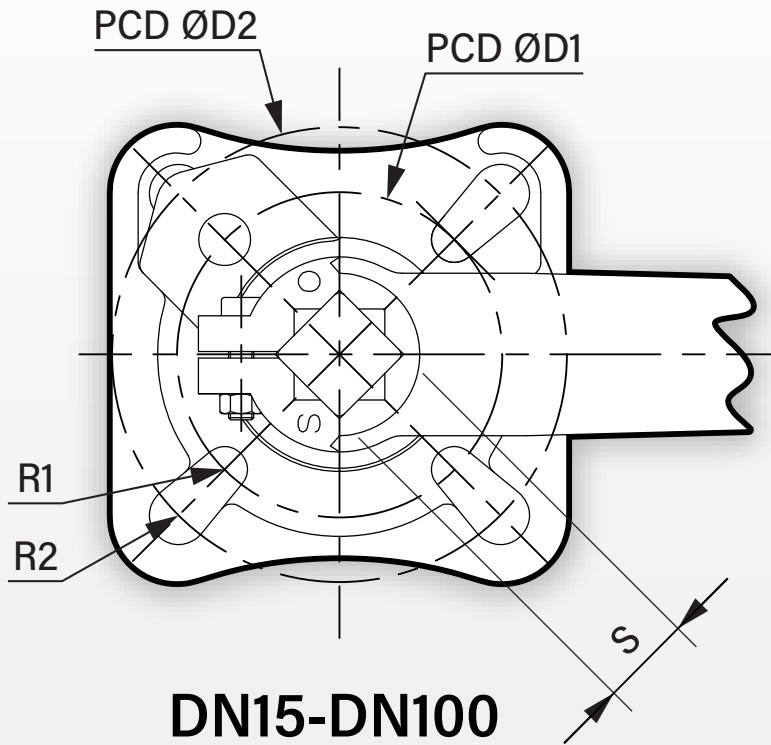


TABLE 2: DIMENSIONS IN MM
5" AND 6" BALL VALVES

Size	DN	PN	Ød	ØD	ØG	PCD ØC	f	T	N - ØM	L	H	H1	W	ISO 5211	Weight
1/2"	DN15	PN16/40	15	95	45	65	2	16	4 - 14	115	87.0	50.5	190	F03/F04	2.3 kg
3/4"	DN20	PN16/40	20	105	58	75	2	18	4 - 14	120	90.5	54.0	190	F03/F04	2.9 kg
1"	DN25	PN16/40	24	115	68	85	2	18	4 - 14	125	92.4	58.5	190	F04/F05	3.9 kg
1 1/4"	DN32	PN16/40	30	140	78	100	2	18	4 - 18	130	106.9	71.5	190	F04/F05	5.5 kg
1 1/2"	DN40	PN16/40	38	150	88	110	3	18	4 - 18	140	121.9	76.5	235	F05/F07	7.3 kg
2"	DN50	PN16/40	50	165	102	125	3	20	4 - 18	150	129.9	84.5	235	F05/F07	10.0 kg
2 1/2"	DN65	PN16	64	185	122	145	3	18	4 - 18	170	155.8	105.0	325	F07/F10	15.3 kg
3"	DN80	PN16	76	200	138	160	3	20	8 - 18	180	162.3	110.5	325	F07/F10	19.4 kg
4"	DN100	PN16	98	220	158	180	3	20	8 - 18	190	190.9	136.0	325	F10/F12	25.7 kg
5"	DN125	PN16	125	250	188	210	3	22	8 - 18	325	232.0	180.0	756	F10/F12	43.0 kg
6"	DN150	PN16	150	285	212	240	3	22	8 - 22	350	253.0	201.0	756	F10/F12	67.0 kg

ECONOMY STAINLESS STEEL

PN16 BALL VALVE



**TABLE 3: DIMENSIONS IN MM
ISO 5211 MOUNTING PAD**

Size	DN	PDC ØD1	PDC ØD2	R1	R2	Ra	Rb	S
½"	DN15	36	42	2.75	2.75	-	-	9
¾"	DN20	36	42	2.75	2.75	-	-	9
1"	DN25	42	50	2.75	3.50	-	-	11
1 ¼"	DN32	42	50	2.75	3.50	-	-	11
1 ½"	DN40	50	70	3.50	4.50	-	-	14
2"	DN50	50	70	3.50	4.50	-	-	14
2 ½"	DN65	70	102	4.50	5.50	-	-	17
3"	DN80	70	102	4.50	5.50	-	-	17
4"	DN100	102	125	5.50	6.50	-	-	22
5"	DN125	102	125	-	-	6.50	5.50	27
6"	DN150	102	125	-	-	6.50	5.50	27

ECONOMY STAINLESS STEEL

PN16 BALL VALVE

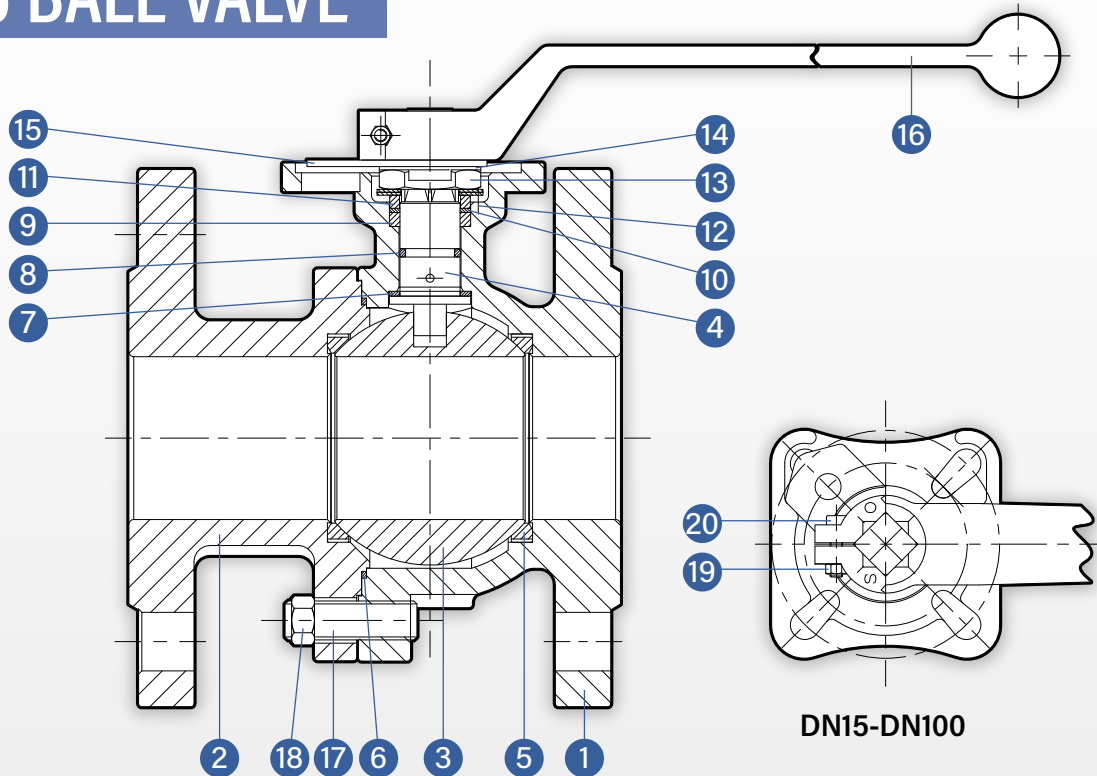


TABLE 4 - PARTS AND MATERIALS - ½" TO 4" BALL VALVES

Item	Part Description	Material
1	Body	1.4408
2	Cap	1.4408
3	Solid ball	ASTM A351-CF8M
4	Stem	ASTM A276-316
5	Seat	RTFE/TFM1600
6	Seal	Graphite
7	Thrust washer	CTFE
8	O-ring	Viton
9	Packing A	Graphite
10	Packing B	CTFE
11	Gland ring	AISI 304
12	Belleville washer	AISI 301
13	Nut	AISI 304
14	Lock washer	AISI 304
15	Stopper	AISI 304
16	Handle	AISI 304
17	Stud	AISI 304
18	Nut	AISI 304
19	Nut	AISI 304
20	Bolt	AISI 304

ECONOMY STAINLESS STEEL

PN16 BALL VALVE

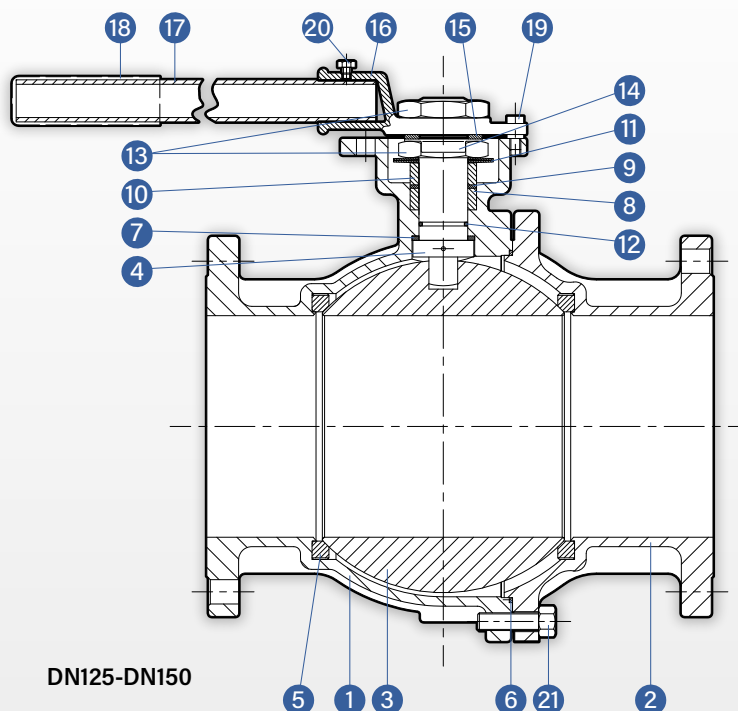


TABLE 5 - PARTS AND MATERIALS - 5" AND 6" BALL VALVES

Item	Part Description	Material
1	Body	1.4408
2	Cap	1.4408
3	Solid ball	ASTM A351-CF8M
4	Stem	ASTM A276-316
5	Seat	RTFE/TFM1600
6	Seal	316+Graphite
7	Thrust washer	CTFE
8	Packing A	Graphite
9	Packing B	CTFE
10	Gland ring	AISI 304
11	Belleville washer	AISI 301
12	O-ring	Viton
13	Stem nut	AISI 304
14	Lock washer	AISI 304
15	Flat washer	AISI 304
16	Handle head	AISI 304
17	Steel tube	AISI 304
18	Handle sleeve	PVC
19	Stop pin	SS 304
20	Handle bolt	SS 304
21	Bolt	SS 304

ECONOMY STAINLESS STEEL

PN16 BALL VALVE

CHART 1: PRESSURE-TEMPERATURE RATING

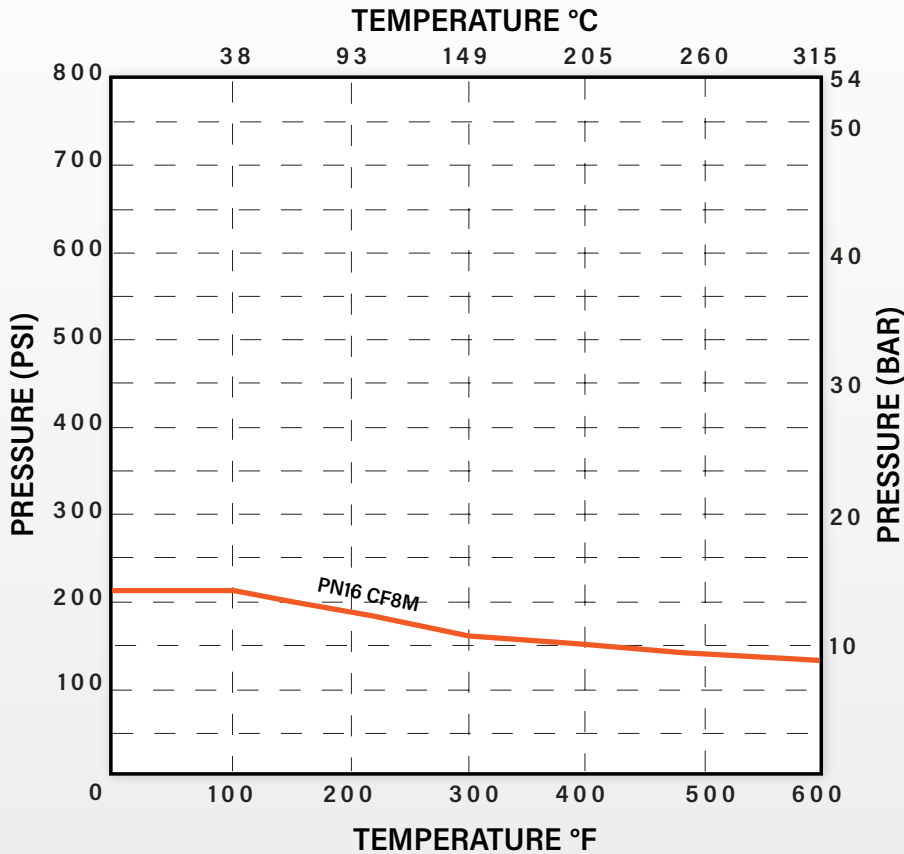


TABLE 6: TORQUE VALUES IN NM

Size	DN	Torque Values in Nm - Excluding Safety
1/2"	DN15	5.2 Nm
3/4"	DN20	8.0 Nm
1"	DN25	12.5 Nm
1 1/4"	DN32	14.0 Nm
1 1/2"	DN40	24.5 Nm
2"	DN50	32.0 Nm
2 1/2"	DN65	38.0 Nm
3"	DN80	45.0 Nm
4"	DN100	55.0 Nm
5"	DN125	221.0 Nm
6"	DN150	351.0 Nm

ECONOMY STAINLESS STEEL

PN16 BALL VALVE

TABLE 7: PART NUMBERS

Size	DN	SKU
½"	DN15	BV5619-100080
¾"	DN20	BV5619-100081
1"	DN25	BV5619-100082
1 ¼"	DN32	BV5619-100083
1 ½"	DN40	BV5619-100084
2"	DN50	BV5619-100085
2 ½"	DN65	BV5619-100086
3"	DN80	BV5619-100087
4"	DN100	BV5619-100088
5"	DN125	BV5619-100089
6"	DN150	BV5619-100090